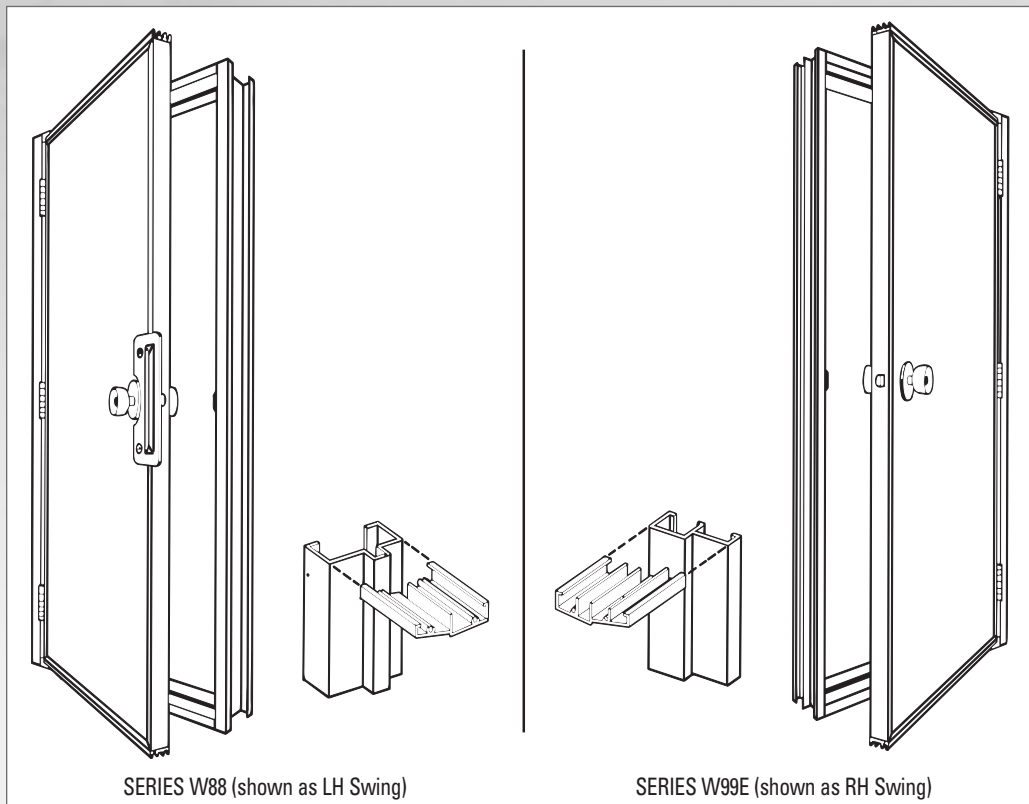


Insulated Service Doors

Pre-finished Insulated Service Doors

- BENEFITS:**
- Low Maintenance
 - Attractive Appearance
 - Ease of Installation
 - Pre-hung
 - Energy Savings
 - Durability

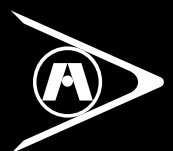


Series W88 Pre-finished Steel Clad

- FEATURES:**
- 3-1/2" 16 ga. Prepainted steel frame
 - 4-Way Universal
 - 24 ga. White insulated steel door panel
 - Full perimeter Vinyl Weather Stripping
 - Individually cartoned
 - (3) Fixed Pin hinges
 - Available with 22" x 36" 9-Lite insulated glass
 - Latch Guard installed
 - Lockset optional
 - Models and sizes available - see overleaf

Series W99E Pre-finished Steel Clad

- FEATURES:**
- 3-1/2" Prepainted extruded aluminum frame
 - 4-Way Universal
 - 27 ga. White smooth insulated steel door panel. Door 1-3/4" thick w/R-13 Panel
 - Full perimeter Vinyl Weather Stripping
 - Individually cartoned
 - (3) 4" x 4" Butt hinges (pins cannot be removed when door is closed)
 - Available with 20" x 24" glass - single glazed
 - Lockset optional
 - Models and sizes available - see overleaf



Insulated Service Doors

Series W88 Heavy Duty Insulated - White

DESCRIPTION

W88 3068 Blank	(O.D.D. 40" x 81-13/16")
W88 6068 Blank Double Door, Swing DI	(O.D.D. 77-5/16" x 81-13/16")
W88 3068 9 Lite, Swing AI, A, BI, B	(O.D.D. 40" x 81-13/16")

Other swing/sizes/options available upon request.

Series W99E Standard Insulated - White

DESCRIPTION

W99E 2868 Blank	(O.D.D. 33-1/2" x 81-3/8")
W99E 3068 Blank	(O.D.D. 37-1/2" x 81-3/8")
W99E 3068 w/20" x 24" Glass, Swing AI or BI	(O.D.D. 37-1/2" x 81-3/8")
W99E 4068 Blank	(O.D.D. 49-1/2" x 81-3/8")
W99E 6068 Blank, Swing DI	(O.D.D. 74-5/8" x 81-3/8")

Other swing/sizes/options available upon request.

Door Accessories

DESCRIPTION

Schlage	Heavy Duty Knob-Lever Lock Set
Schlage	Knob-Knob Passage Set
EZ	Standard Knob-Knob Lock Set
	Striker Plates for W99E Doors

DOOR HANDING: To determine the handing of a door, **face it from the outside or key side**. There are 8 available options to choose from, as shown. All doors greater than 60" in width include double doors.

Swing "AI"
Left Hand Inswing
Hinges on Left
Opens Inward



Swing "BI"
Right Hand Inswing
Hinges on Right
Opens Inward



Swing "A"
Left Hand Outswing
Hinges on Left
Opens Outward

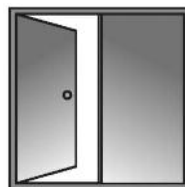


Swing "B"
Right Hand Outswing
Hinges on Right
Opens Outward

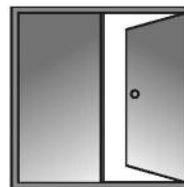


Please Note: On W99E w/A Lite ONLY, change the swing by switching the trim around.
On W88 w/9-Lite, you must always specify the required swing when ordering.

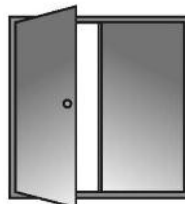
Swing "CI"
Left Hand Inswing
Hinges on Left
Opens Inward



Swing "DI"
Right Hand Inswing
Hinges on Right
Opens Inward



Swing "C"
Left Hand Outswing
Hinges on Left
Opens Outward



Swing "D"
Right Hand Outswing
Hinges on Right
Opens Outward

