

Sliding Door Track & Accessories

Square Track System



DESCRIPTION

- #31 Square Track, available in 6', 8', 10' and 12' lengths
- #31 Single Track Bracket c/w Lag Bolt
- #22 x 31 Double Track Bracket, w/o Lag Bolt
- #321 4-wheel hanger, non-adjustable (sold in pairs)
- #323 4-wheel hanger, adjustable (sold in pairs)
- #323S 4-wheel hanger w/ Straight Bolt (sold in pairs)

Door Accessories

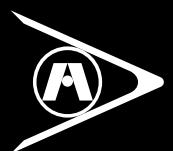


DESCRIPTION

- #180 Door Snigger
- #189 Universal Stay Roller
- #188000 Cam Latch
- #125 RW Door Latch
- #514-2 Heavy Duty Top Spring Bolt
- #524-0 Bottom Cane Bolt - 1/2"
- #524-2 Bottom Cane Bolt - 3/4"
- Heavy Duty Leverlock Door Latch
- #227L Thumb Latch
- #70 Flush Pull
- #71 Bow Handle - 4"

Following items not shown:

- #4SP482 7-7/8" Door Pull
- #Barn Door Latch (Bowman)
- #128S Door Latch (Stable Door)
- #185 2-1/2" Door Bumper c/w Lag Screws
- #186 4-1/2" Door Bumper c/w Lag Screws
- #SP1084 Heavy Barrel Bolts - 8"



Sliding Door Track & Accessories

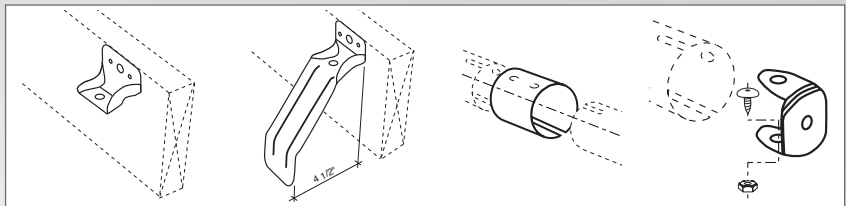
Keyhole Track System



DESCRIPTION

Keyhole Track, available in 8', 10', 12', 16' and 20' lengths

Face Mount Applications



DESCRIPTION

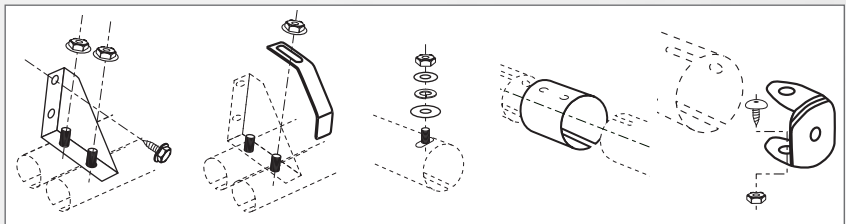
#646512 Bracket (for track without cover)

#646513 Bracket (for track with cover)

#465101 Splice Collar

#646514 End Cap

Top Mount Applications (Double Runs)



DESCRIPTION

#712137 Double Bracket (for track without cover)*

#712136 Double Bracket Extension*

#643840 Bolt Package*

#465101 Splice Collar

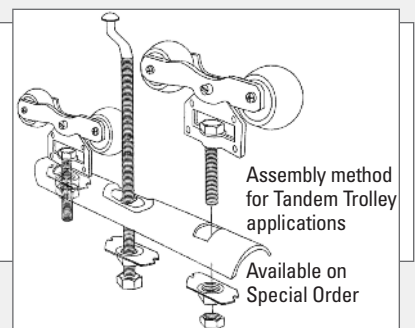
#646514 End Cap

* When installing a track cover on a Double Track System, you must use:

(1) Double Bracket, (1) Double Bracket Extension and (2) Bolt Packages every 2 feet.

If installing w/o track cover, you must use: (1) Double Bracket and (2) Bolt Packages every 2 feet.

Trolley/Super Hanger for Keyhole Track



DESCRIPTION

#149500 Trolley Hanger c/w 9-1/2" Bolt

#149550 Super Hanger c/w 9-1/2" Bolt, w/Bearings

#146500 Trolley Hanger c/w 6-1/2" Bolt

#146550 Super Hanger c/w 6-1/2" Bolt, w/Bearings

#142500 Trolley Hanger c/w 2-1/2" Straight Bolt

#141500 Trolley Hanger c/w Steel Apron

