

Physical Properties

Base Steel Thickness (in.)	Weight G90 (psf)	Yield Stress (ksi)
0.018	0.937	33
0.024	1.25	33
0.030	1.52	33
0.036	1.76	33

Notes:

1. This liner sheet does not contribute to the structural performance of the panel.

2. All external loads and deflection requirements must be supported by the outer sheet.

3. Recommended usage guide:

Spans up to 6' - 0.018"

Spans 6' to 8' - 0.024"

Spans 8' to 10' - 0.030"

Spans over 10' - consult your sales representative

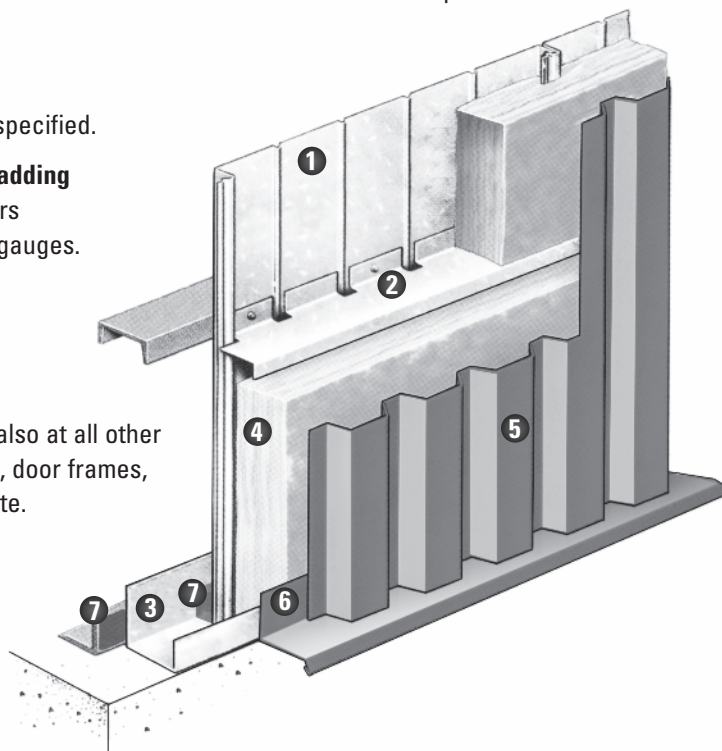
4. The prime purpose of the liner sheet is to provide a vapour barrier.

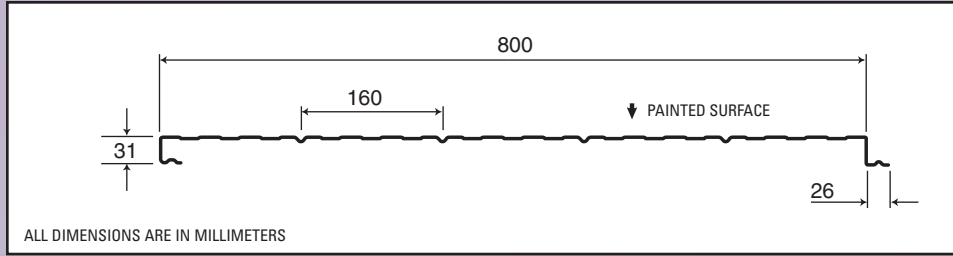
5. Oil canning may be present due to thickness and coverage. Oil canning is not a valid reason for rejection of this product.

6. Liner Panel produced from either Galvanneal or G90 Galvanized coated steel is susceptible to storage stain when exposed to the elements. This staining is superficial only and is not a valid reason for rejection of this product.

AN INSULATED SHEET STEEL WALL ASSEMBLY CONSISTS OF THE FOLLOWING:

- 1 AL-315 Precaulked Liner Panel**
Available in base steel thicknesses of 0.018", 0.024" and 0.030". Contact your sales representative for stocked colours and gauges.
- 2 Sub-girts, notched "Z" bars**
Available in widths to accommodate the thickness of insulation specified.
- 3 Base channel**
- 4 Insulation**
Type and thickness as specified.
- 5 Exterior Sheet Steel Cladding**
Agway Metals Inc. offers numerous profiles and gauges.
- 6 Flashings**
Available on request.
- 7 Sealing**
Butyl or other sealant (also at all other openings, i.e., windows, door frames, etc.) to be applied on site.





Physical Properties

Base Steel Thickness (mm)	Mass Z275	Yield Stress
	(kg/m ²)	(MPa)
0.457	4.57	230
0.610	6.10	230
0.762	7.42	230
0.914	8.59	230

Notes:

1. This liner sheet does not contribute to the structural performance of the panel.

2. All external loads and deflection requirements must be supported by the outer sheet.

3. Recommended usage guide:

Spans up to 1.82 m
- 0.457 mm

Spans 1.82 to 2.44 m
- 0.610 mm

Spans 2.44 to 3 m
- 0.762 mm

Spans over 3 m -consult your sales representative

4. The prime purpose of the liner sheet is to provide a vapour barrier.

5. Oil canning may be present due to thickness and coverage. Oil canning is not a valid reason for rejection of this product.

6. Liner Panel produced from either Galvanneal or G90 Galvanized coated steel is susceptible to storage stain when exposed to the elements. This staining is superficial only and is not a valid reason for rejection of this product.

AN INSULATED SHEET STEEL WALL ASSEMBLY CONSISTS OF THE FOLLOWING:

- 1 AL-315 Precaulked Liner Panel**
Available in base steel thicknesses of 0.457 mm, 0.610 mm and 0.762 mm. Contact your sales representative for stocked colours and gauges.
- 2 Sub-girts, notched "Z" bars**
Available in widths to accommodate the thickness of insulation specified.
- 3 Base channel**
- 4 Insulation**
Type and thickness as specified.
- 5 Exterior Sheet Steel Cladding**
Agway Metals Inc. offers numerous profiles and gauges.
- 6 Flashings**
Available on request.
- 7 Sealing**
Butyl or other sealant (also at all other openings, i.e., windows, door frames, etc.) to be applied on site.

