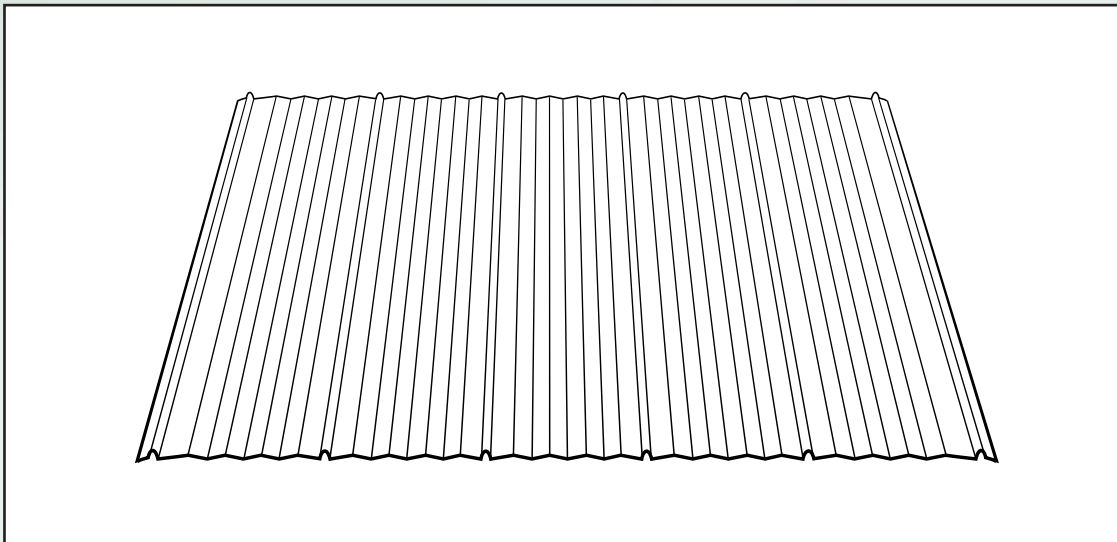


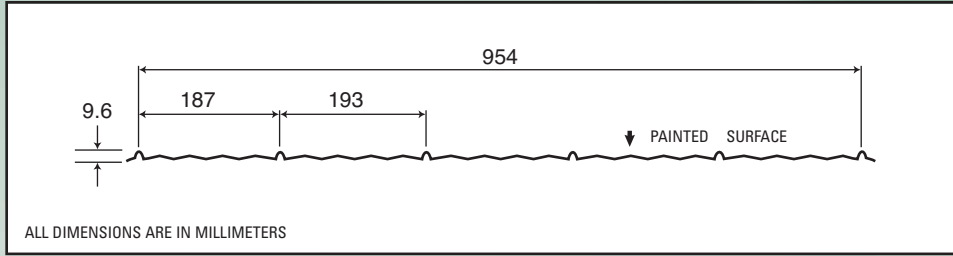
Physical Properties

Base Steel Thickness (in.)	Weight G90	Yield Stress
	(psf)	(ksi)
0.0120	0.560	80
0.0135	0.626	80
0.0180	0.813	50
0.0240	1.037	33



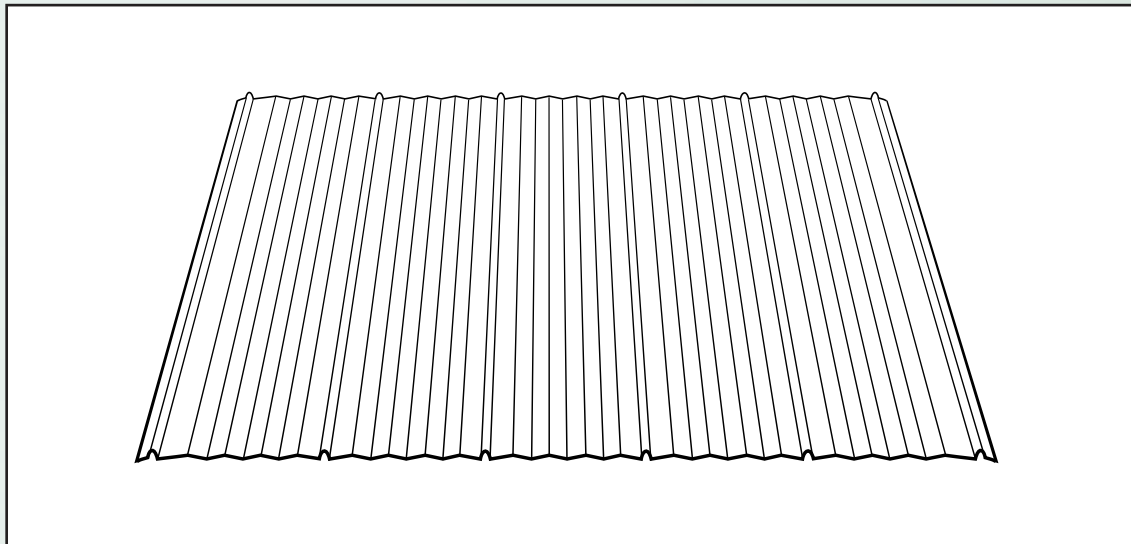
- Lo-Rib** – One of the most economical panels in the market today.
- Use on high sloped roofs and exterior/interior siding.
 - Minimum recommended slope is 4/12 based on maximum purlin spacing of 24" centres.
 - Contact the sales department for stocked colours and gauges.





Physical Properties

Base Steel Thickness (mm)	Mass Z275 (kg/m ²)	Yield Stress MPa
	0.305	2.73
0.343	3.06	550
0.457	3.97	345
0.610	5.06	230



- Lo-Rib** – One of the most economical panels in the market today.
- Use on high sloped roofs and exterior/interior siding.
 - Minimum recommended slope is 4/12 based on maximum purlin spacing of 610 mm centres.
 - Contact the sales department for stocked colours and gauges.

