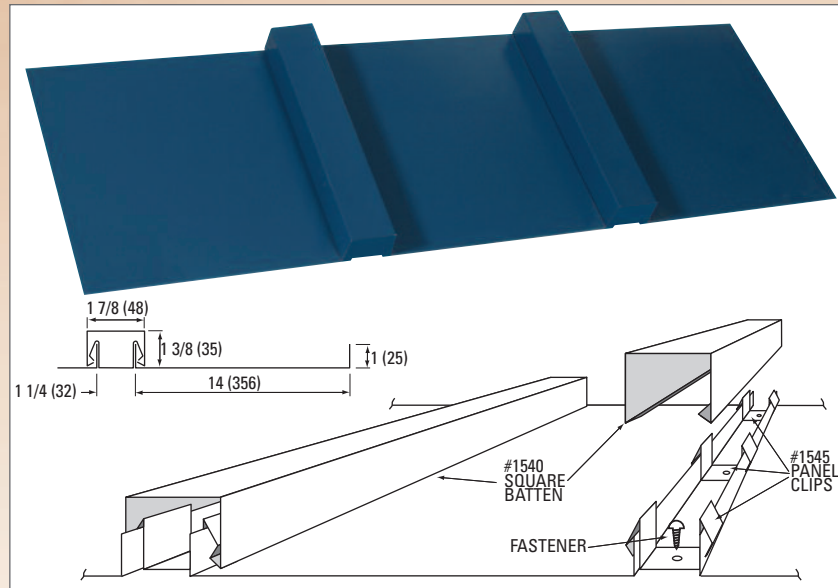


Batten Profiles

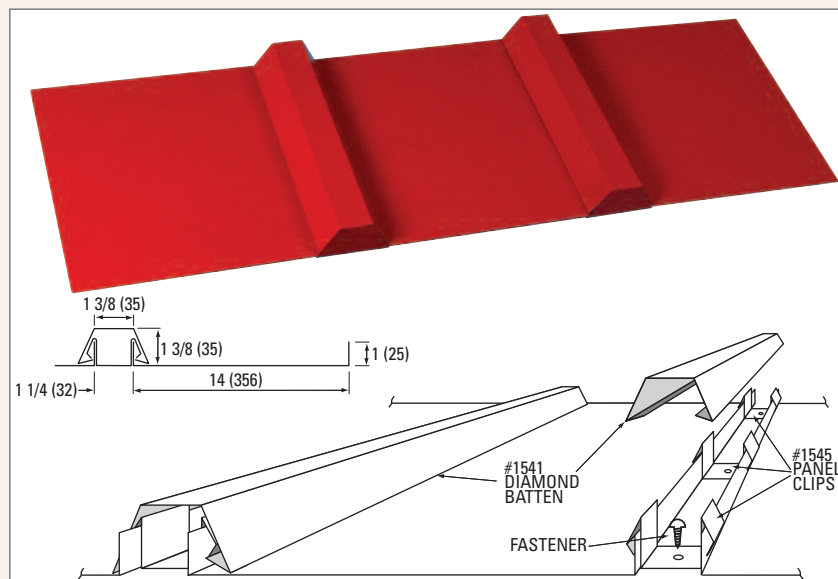
Board and Batten



FEATURES:

- Custom lengths from 1'-0" to 20'-2"
- Prepainted Steel, Aluminum, Copper, Stainless Steel and Zinc
- Available with a starter cleat and 90° end bend
- Suitable for Roof or Wall applications
- Can be notched and preformed for knee-bend applications
- Custom dimensioning also available
- **All installations must be on a solid decking c/w moisture barrier**

Diamond Batten



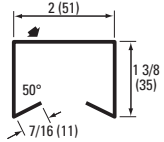
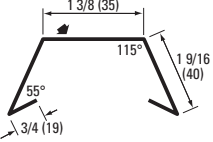
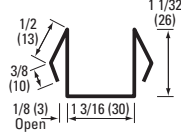
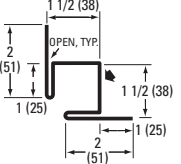
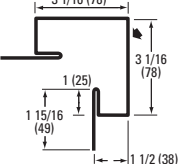
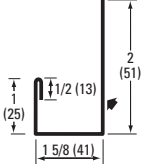
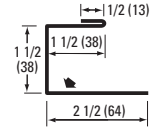
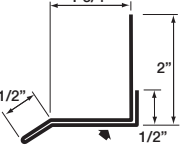
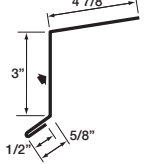
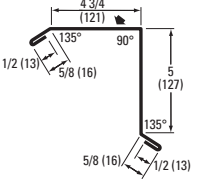
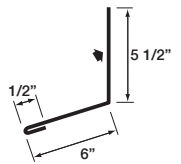
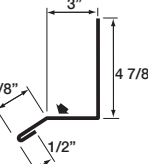
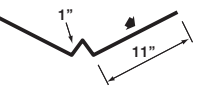

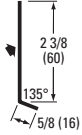
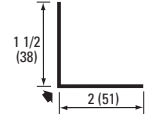
FEATURES:

- Custom lengths from 1'-0" to 20'-2"
- Prepainted Steel, Aluminum, Copper, Stainless Steel and Zinc
- Suitable for Roof or Wall applications
- Available with a starter cleat and 90° end bend
- Custom dimensioning also available
- **All installations must be on a solid decking c/w moisture barrier**



Batten Profiles

Flashings and Trims

<p>1540 SQUARE BATTEN</p> 	<p>1541 DIAMOND BATTEN</p> 	<p>1545 BATTEN CLIP</p>  <p>Maximum 2' 0" centres</p>
<p>1506 INSIDE CORNER</p> 	<p>1507 OUTSIDE CORNER</p> 	<p>1512 J-TRIM</p> 
<p>1514 C-CHANNEL</p> 	<p>1517 (C-10) BASE DRIP</p> 	<p>1525 EAVE FLASHING</p>  <p>* Specify slope</p>
<p>1526 GABLE FLASHING</p> 	<p>1527 ENDWALL</p> 	<p>1528 BASE DRIP</p> 
<p>1529 VALLEY</p>  <p>* Specify slope</p>	<p>1530 RIDGE</p>  <p>* Specify B and slope</p>	<p>1535 LOCKING STRIP</p> 
<p>1537 BATTEN CAP</p> 	<p>1500 BATTEN ROOF PANEL</p> 