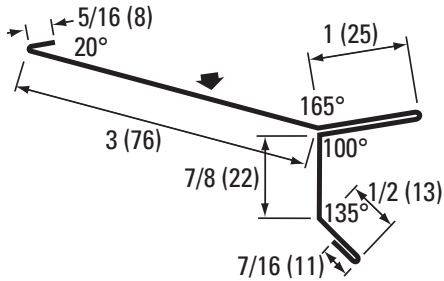


# Springhouse Roofing Accessories

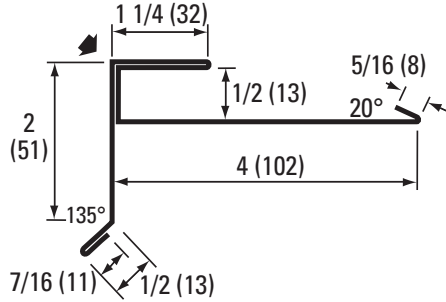
## Trims & Flashings

All items in 10' lengths unless noted

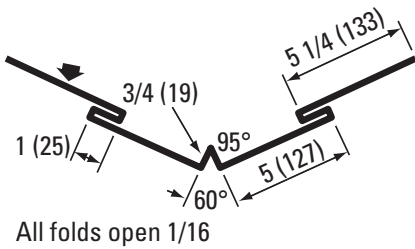
SH-01 EAVE STARTER #21



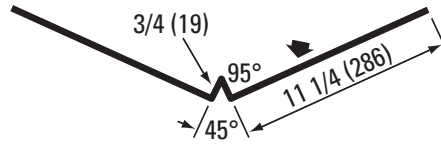
SH-02 F GABLE STARTER #30



SH-03 24" W VALLEY - TAPERED #10

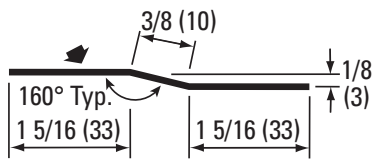


SH-04 24" W VALLEY

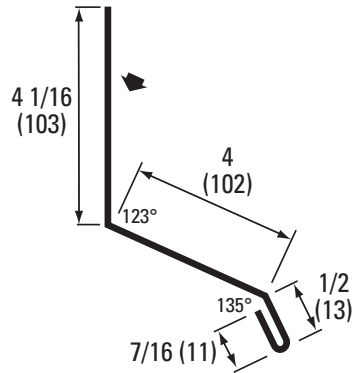


Use with SH-05 CLEAT

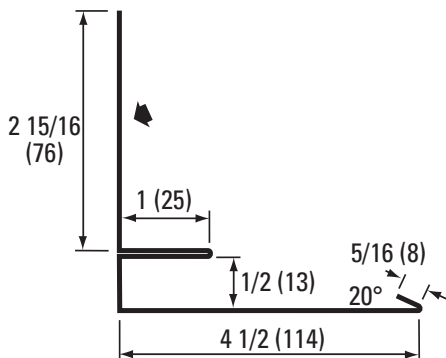
SH-05 CLEAT



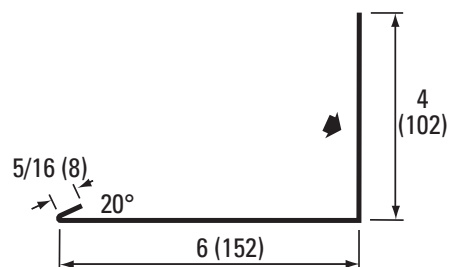
SH-06 ENDWALL #40



SH-07 F SIDEWALL #51



SH-08 L SIDEWALL



Use with SH-05 CLEAT

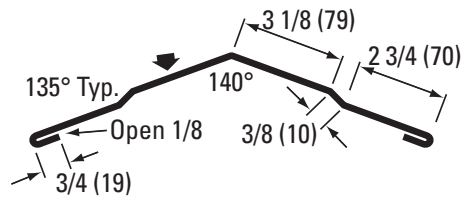


# Springhouse Roofing Accessories

## Trims & Flashings

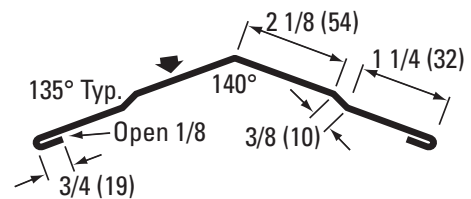
All items in 10' lengths unless noted

SH-09 RAPID RIDGE COVER

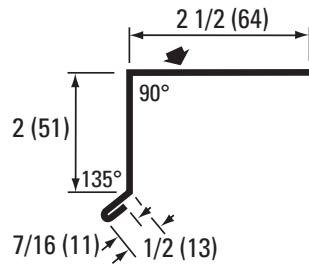


Use with Rapid Ridge Metric (11.5") by Benjamin Obdyke for attic ventilation

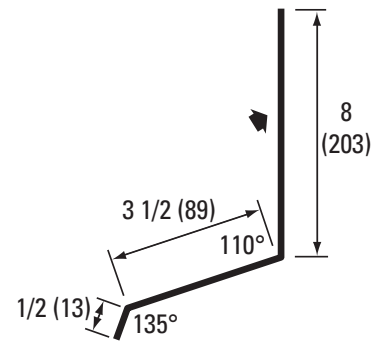
SH-10 HIP COVER



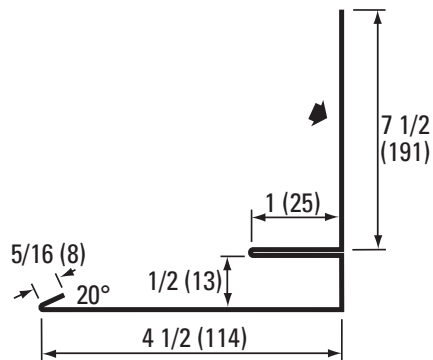
SH-11 COUNTER



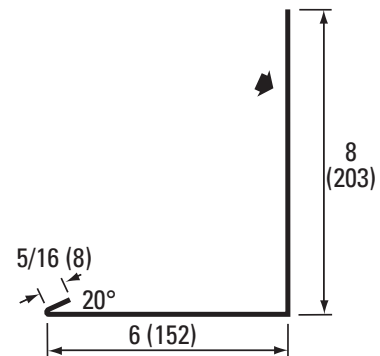
SH-12 CHIMNEY ENDWALL



SH-13 F CHIMNEY SIDEWALL

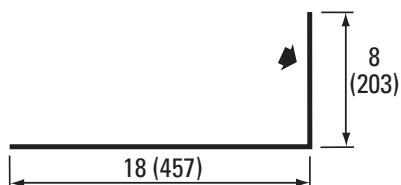


SH-14 CHIMNEY SIDEWALL



Use with SH-05 CLEAT

SH-15 CHIMNEY BACK PAN



Length: 36" (914 mm)

