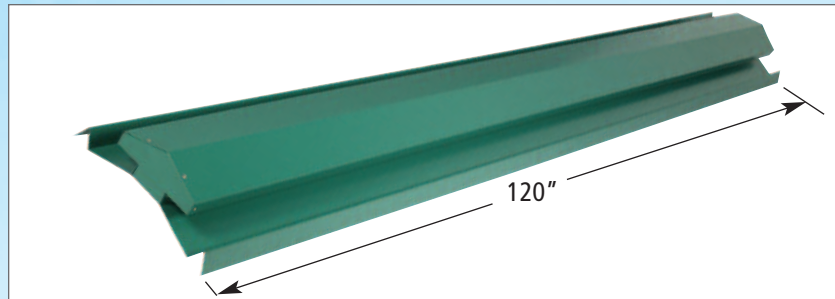


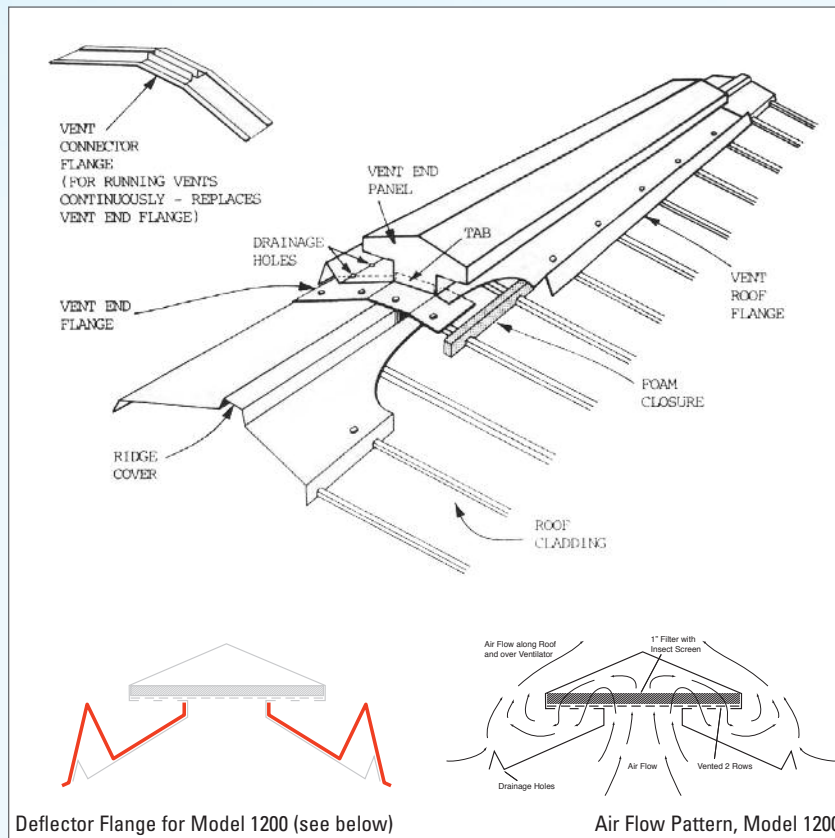
# Ventilators

## Model 1200 Vent

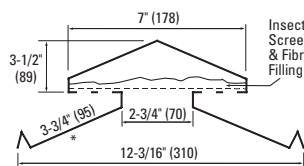


### FEATURES:

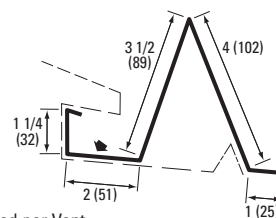
- 2 3/4" throat and 170 sq. in. free area capacity
- Filter installed to prevent snow, rain and insect infiltration
- Manufactured for 2/12 to 6/12 pitch
- Can be fabricated for pitches over 6/12 with deflector flanges which must be installed (see dwg. below)
- Packaged in carton with splice plates and with end caps/flanges installed
- 29 and 26 ga. Galvanized, Galvalume and Prepainted Steel



### 1200 RIDGE VENT



### 1200 DEFLECTOR FLANGE



2 required per Vent  
Use with 1200 Vent for slopes over 6:12

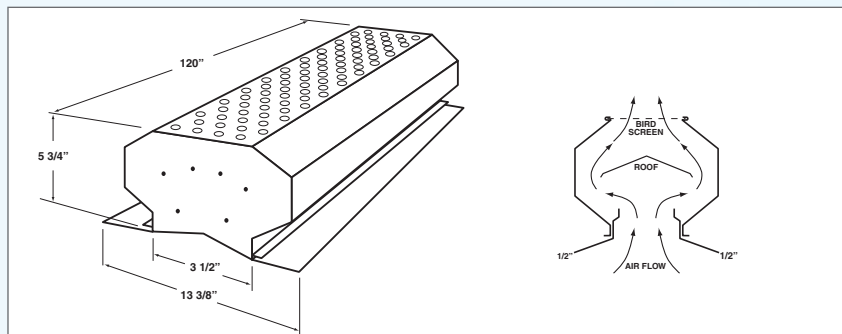


# Ventilators

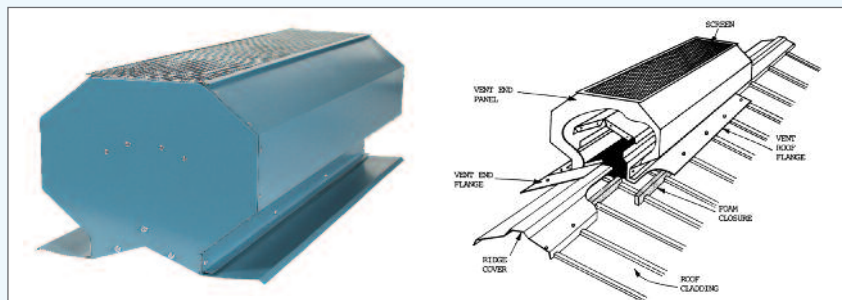


## FEATURES:

- Low profile with 3 1/2" throat
- Allows 340 sq. in. free air capacity
- Weatherproof flashings included for either continuous coverage of ridge or for individual installation
- Streamlined appearance compliments roofline
- Available for 3/12 to 8/12 pitch
- Manufactured from 29 gauge Prepainted Steel for maximum strength and durability
- Fully assembled with Stainless Steel rivets
- Quick and easy installation
- Individually packaged
- Light weight - 25 lbs (11.4 kg)
- Available in a wide variety of colours (allow 10 working days for delivery)
- Additional colours available on request



Air Flow Pattern, Models 2400/480



## FEATURES:

- 8" Throat provides 288 sq. in. free area capacity
- Packaged 1 unit per carton c/w birdscreen
- Chain operated damper available
- 29 gauge Galvanized, Galvalume and Prepainted Steel

