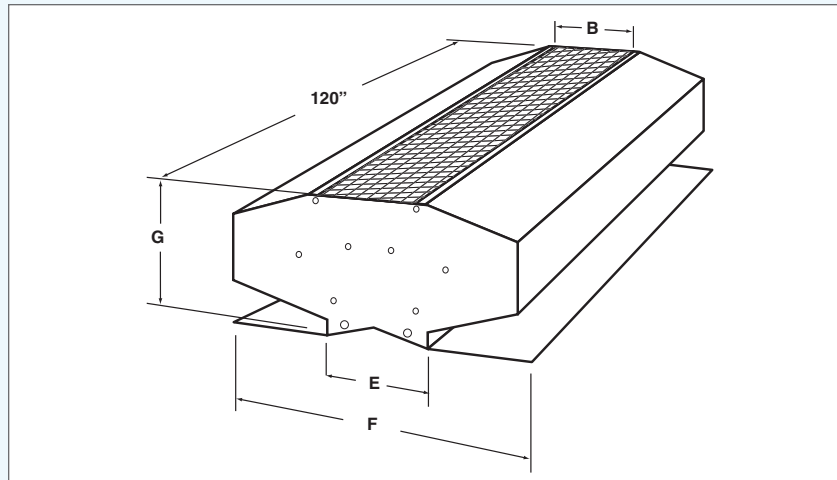


10' Commercial Ventilator



FEATURES:

- 9" and 12" Throats available, providing 1080 and 1440 sq. in. free area capacity respectively
- Fully assembled and crated c/w end flanges, splice plates and bird screen
- Damper and operable winch kit available c/w cable
- Electric actuator controlled roof vent winch kit c/w manual override also available
- 24 gauge Galvanized, Galvalume and Prepainted Galvanized
- Also available in Aluminum and Stainless Steel
- Must be crated for shipping



Dim.	9" Throat	12" Throat
B	10 1/2"	13 1/2"
E	9"	12"
F	28 1/2"	36"
G	14 1/4"	17 3/4"

Ventilators

Attic Ventilation Chart for Agricultural, Commercial and Industrial Use

BUILDING WIDTH IN FEET	MINIMUM OPENING PER EAVE PER FOOT OF BUILDING LENGTH			MAXIMUM LENGTH OF BUILDING IN FEET AND INCHES PER RIDGE VENTILATOR								
	OPEN AREA REQUIRED (SQ. INS.)	CONTINUOUS SLOT WIDTH (INS.)	NO. OF 3/4" DIA HOLES PER FOOT	MODEL 120 12" ROUND VENT (0.65 ft. ² OPENING)	MODEL 160 16" ROUND VENT (1.30 ft. ² OPENING)	MODEL 480 48" LOW PROFILE VENT (1.95 ft. ² OPENING)	MODEL 1200 10' RIDGE VENTILATOR (1.17 ft. ² OPENING)	MODEL 2400 10' RIDGE VENTILATOR (2.34 ft. ² OPENING)	MODEL 200 CUPOLA (0.30 ft. ² OPENING)	MODEL 250 CUPOLA (0.75 ft. ² OPENING)	MODEL 350 CUPOLA (1.10 ft. ² OPENING)	MODEL 420 CUPOLA (2.00 ft. ² OPENING)
20	2.40	0.20	6	19' 6"	39' 0"	58' 6"	35' 1"	70' 2"	9' 0"	22' 6"	33' 0"	60' 0"
24	2.88	0.24	7	16' 3"	32' 6"	48' 9"	29' 3"	58' 6"	7' 6"	18' 9"	27' 6"	50' 0"
28	3.36	0.28	8	13' 11"	27' 10"	41' 9"	25' 0"	50' 0"	6' 5"	16' 3"	23' 6"	43' 0"
32	3.84	0.32	9	12' 2"	24' 4"	36' 6"	21' 11"	43' 10"	5' 7"	14' 0"	20' 7"	37' 6"
36	4.32	0.36	10	10' 10"	21' 8"	32' 6"	19' 6"	39' 0"	5' 0"	12' 6"	18' 4"	33' 4"
40	4.80	0.40	11	9' 9"	19' 6"	29' 3"	17' 6"	35' 0"	4' 6"	11' 4"	16' 6"	30' 0"
44	5.28	0.44	12	8' 10"	17' 8"	26' 6"	15' 11"	31' 10"	4' 1"	10' 2"	15' 0"	27' 3"
48	5.76	0.48	13	8' 1"	16' 2"	24' 3"	14' 7"	29' 2"	3' 9"	9' 3"	13' 9"	25' 0"
52	6.24	0.52	14	7' 6"	15' 0"	22' 6"	13' 6"	27' 0"	3' 5"	8' 6"	12' 8"	23' 0"
56	6.72	0.56	16	6' 11"	13' 10"	20' 9"	12' 6"	25' 0"	3' 2"	7' 11"	11' 9"	21' 5"
60	7.20	0.60	17	6' 6"	13' 0"	19' 6"	11' 8"	23' 4"	3' 0"	7' 6"	11' 0"	20' 0"
70	8.40	0.70	19	5' 7"	11' 2"	16' 9"	10' 0" CONTINUOUS	20' 0"	2' 6"	6' 4"	9' 5"	17' 2"
80	9.60	0.80	22	4' 10"	9' 8"	14' 6"	NOT APPLICABLE	17' 6"	2' 3"	5' 7"	8' 3"	15' 0"
90	10.80	0.90	25	4' 4"	8' 8"	13' 0"	NOT APPLICABLE	15' 7"	2' 0"	5' 0"	7' 4"	13' 4"

NOTE: Values shown are based on a minimum of 1 sq. ft. of Inlet Opening per eave per 1200 sq. ft. of ceiling and a minimum of 1 sq. ft. of Outlet Opening at ridge per 600 sq. ft. of ceiling.

EXAMPLES:

- SRV-12 Vent (0.92 ft² opening) vents 550 ft² of attic.
- SRV-20 Vent (2.63 ft² opening) vents 1580 ft² of attic.

COMMERCIAL VENT

- 9" Throat (7.38 ft² opening) vents 4400 ft² of attic.
- 12" Throat (9.83 ft² opening) vents 5900 ft² of attic.

