

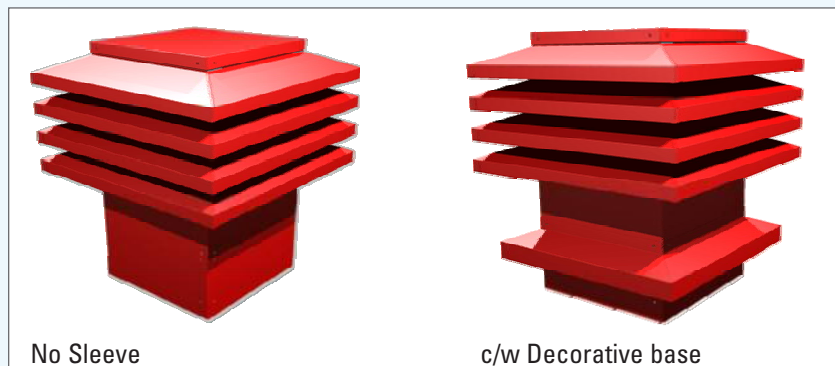
## SRV Ventilator



c/w Base Sleeve

- Model SRV-12**
- 12" x 12" base x 22½" high
  - 132 sq. in. of free air capacity
  - Can vent up to 550 sq. ft. of attic space
  - Available with or without Base Sleeve or with Decorative Base
  - 26 gauge Galvanized, Galvalume and Prepainted Steel
  - Weight: 28 lbs (12.8 kg)

- Model SRV-20**
- 20" x 20" base x 27½" high
  - 380 sq. in. of free air capacity
  - Can vent up to 1580 sq. ft. of attic space
  - Available with or without Base Sleeve or with Decorative Base
  - 26 gauge Galvanized, Galvalume and Prepainted Steel
  - Weight: 49 lbs (22.3 kg)



No Sleeve

c/w Decorative base

## Round Top Ventilator Models 120/160



- Model 120**
- Model 160**
- 12" throat with a 16" x 16" base and 54 sq. in. free air capacity
  - 16" throat with a 22" x 22" base and 96 sq. in. free air capacity
  - 29 gauge Galvanized, Galvalume and Prepainted Steel
  - Old Style Heritage Round Vents can be custom fabricated



# Ventilators

## Turbine Roof Ventilator



### FEATURES:

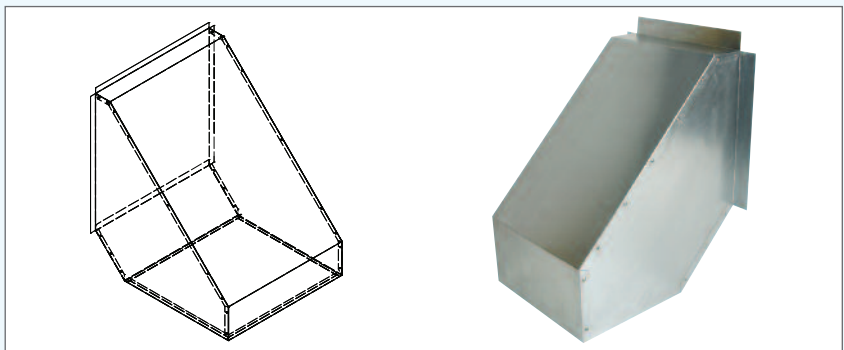
- Turbine heads manufactured from galvanized steel
- Rotor shafts and bearings pre-lubricated
- Bases manufactured in 29 gauge Galvanized, Galvalume and Prepainted Steel
- 12" throat with 16" x 16" base and 14" throat with 20" x 20" base

## Gooseneck Ventilator



- Custom sizes available

## Fan Hood



- Sizes available:
  - 12" (15 $\frac{3}{8}$ " sq.)
  - 14" (17 $\frac{3}{8}$ " sq.)
  - 16" (19 $\frac{3}{8}$ " sq.)
  - 18" (21 $\frac{3}{8}$ " sq.)
  - 20" (23 $\frac{3}{8}$ " sq.)

- Custom sizes available

