

# TRUSSCORE™



PVC Interlocking Liner Panel



*Easier to do Business with...*

**AGWAY METALS INC.**

**ANDEX METALS**

*...pour vous faciliter les Affaires*



### Key Advantages Include:

- Industry leading 1/2" thick heavy wall design
- Inner truss design for rigidity and high strength
- Cost effective
- Can be used for new construction or retrofit
- Bright clean appearance
- Virtually maintenance free
- Meets CFIA (Canada) and FDA (U.S.A.) requirements for walls and ceilings
- Comes in standard and custom lengths
- Corrosion-resistant
- Hidden fasteners
- Highly resistant to moisture and most chemicals
- Ideal replacement for conventional wall systems
- Lightweight, fast easy installation
- Supports attic insulation loads
- Pre-punched nailing flange

Wherever you need a smooth finish that is easy to clean, low maintenance and abuse resistant, TRUSSCORE PVC Sanitary Wall and Ceiling Panel has your project covered.

Dairy, Hog, and Poultry Farms  
Car Washes  
Home Ceiling / Wall Panels  
Kennels  
Riding Stables  
Marinas  
Fisheries

Food Processing Plants  
Chemical Processing Plants  
Meat Packaging Facilities  
Restaurant Kitchens  
Supermarkets  
Laboratories  
Theme Parks

Breweries  
Nursing Homes  
Health Care Facilities  
Public Bathrooms  
Refrigerated Warehouses  
Schools  
Laundromats

TRUSSCORE'S unique truss design provides outstanding spanning capability as well as high-strength.

TRUSSCORE'S surface is highly durable and resistant to scratches, chemicals and moisture.

TRUSSCORE PVC Interlocking Liner Panel comes in standard 10', 12', 16' & 20' lengths. Custom lengths are available.



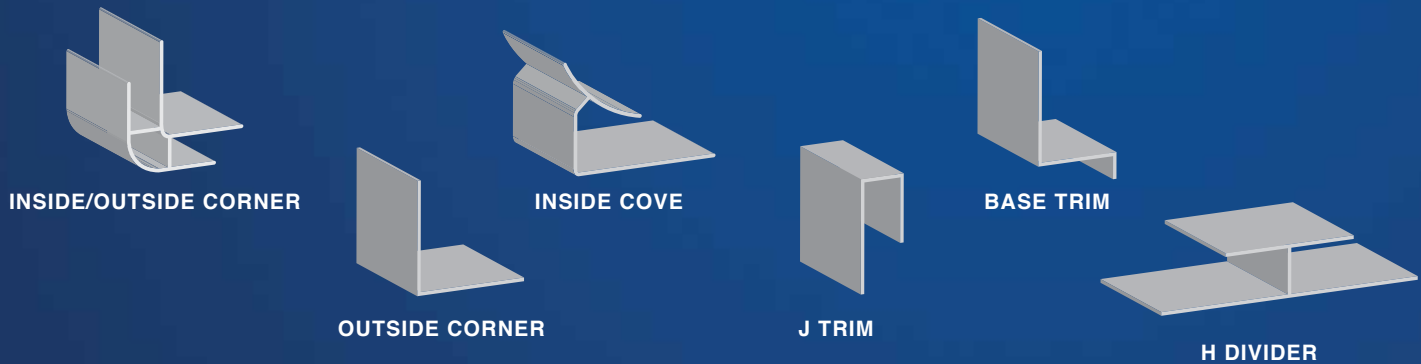
## Specifications



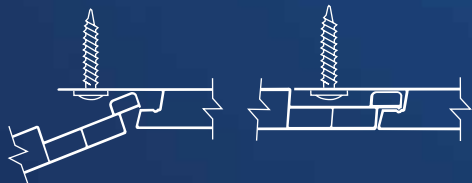
- TRUSSCORE PVC Interlocking Liner Panel comes in standard 10', 12', 16' and 20' lengths.
- Custom lengths are available.

Trusscore's unique tongue-and-groove interlocking system makes both vertical and horizontal installation quick and easy.

## Trims and Flashing



## Fastener Detail



## Panel Variances

- Bowing: 1/16" per every 2' 8" of panel produced
- Top and bottom thickness - 0.51 thou + or - 10%
- Face width may vary 3/16"

## Additional Information

For more information or for downloadable copies of applicable standards or installation instructions, refer to: [www.agwaymetals.com/Trusscore](http://www.agwaymetals.com/Trusscore)

## Ratings

- Flame Spread Classification of 5 as per CAN/ULC S102.2-10
- Meets CFIA (Canada) and FDA (U.S.A.) approval requirements for walls and ceilings.



Agway Metals Inc.  
170 Delta Park Blvd.  
Brampton, ON L6T 5T6

TF. 1.800.268.2083  
T. 905.799.7535  
F. 905.799.3486

[agwaymetals.com](http://agwaymetals.com)