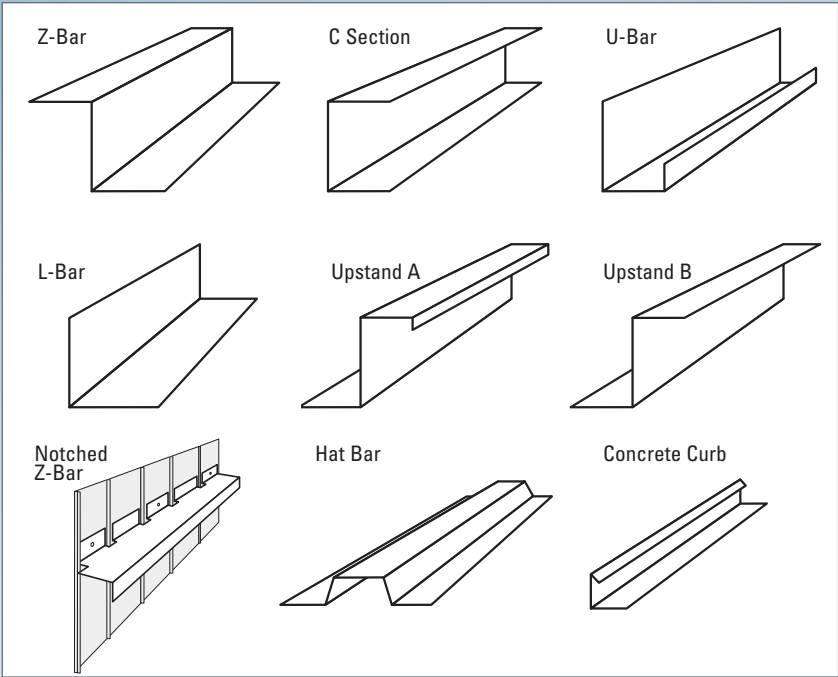


## Sub-Girts



### Standard Breakshapes

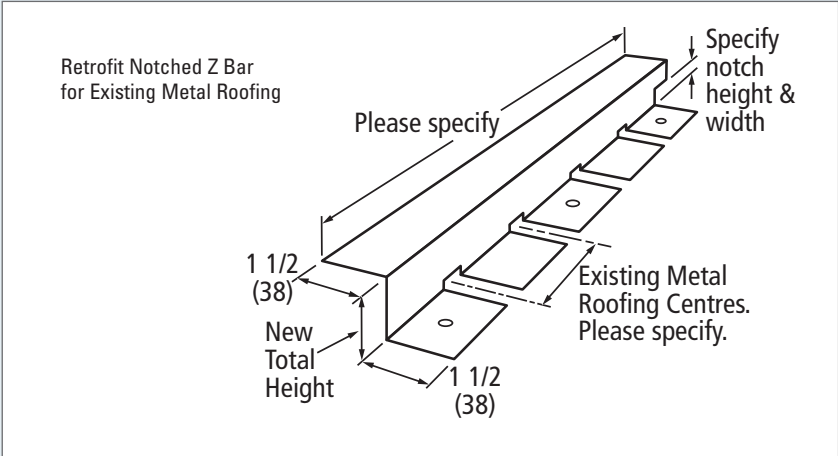
- Available in 22 to 12 Gauge Galvanized G-90 Grade 33
- Available in 10', 16' and 20' lengths
- Custom lengths available

### Custom Operations

- Length capabilities up to 20'
- Punching and Notching
- Brackets and Clips
- Flat Straps
- Custom Notched Bars to match any Cladding/Roofing Profile

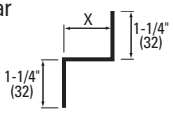
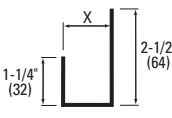
### Materials

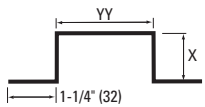
- Stock - Galvanneal, Galvanized, Galvalume and Prepainted
- Also available in Aluminum and Stainless Steel



# Sub-Girts

## Commercial Sub-Girts

Standard in 10' 0" (3048 mm) Lengths	Notched for AL-315 Profile in 31" Lengths	Z-Bar 	Standard in 10' 0" (3048 mm) Lengths	U-Bar 
NO.	NO.	DIMENSION X	NO.	DIMENSION X
Z-75	-	3/4" (19)	U-75	3/4" (19)
Z-100	-	1" (25)	U-100	1" (25)
Z-150	NZ-150	1-1/2" (38)	U-150	1-1/2" (38)
Z-200	NZ-200	2" (51)	U-200	2" (51)
Z-250	NZ-250	2-1/2" (64)	U-250	2-1/2" (64)
Z-300	NZ-300	3" (76)	U-300	3" (76)
Z-350	NZ-350	3-1/2" (89)	U-350	3-1/2" (89)
Z-400	NZ-400	4" (102)	U-400	4" (102)
Z-450	NZ-450	4-1/2" (114)	U-450	4-1/2" (114)
Z-500	NZ-500	5" (127)	U-500	5" (127)
Z-550	NZ-550	5-1/2" (140)	U-550	5-1/2" (140)
Z-600	NZ-600	6" (152)	U-600	6" (152)
Z-650	NZ-650	6-1/2" (165)	U-650	6-1/2" (165)
Z-700	NZ-700	7" (178)	U-700	7" (178)
Z-750	NZ-750	7-1/2" (191)	U-750	7-1/2" (191)
Z-800	NZ-800	8" (204)	U-800	8" (204)

Standard in 10' 0" (3048 mm) Lengths	Hat Bar 	
	DIMENSION	
NO.	X	YY
H-62	5/8" (16)	1-1/2" (38)
H-75	3/4" (19)	1-1/2" (38)
H-100	1" (25)	1-1/2" (38)
H-150	1-1/2" (38)	1-1/2" (38)
H-200	2" (51)	2" (51)
H-250	2-1/2" (64)	2-1/2" (64)
H-300	3" (76)	3" (76)

NOTE: Vertical legs can be at 90° if required

18 Gauge Galvanized is standard.  
16 or 14 Gauge available on request.  
Available in 10'-0", 16'-0" and 20'-0" lengths.  
Custom sizes (not shown) can also be produced.  
Custom lengths available.

